

MODEL 1S + FHIABA MULTIFUNCTION BLAST CHILLER

XEVH-0511-EPLM + SBFUC753**REQUIREMENTS FOR COLUMN INSTALLATION**

This technical sheet describes the column configuration consisting of Model 1S and Fhiaba multifunction blast chiller, providing the overall dimensions and the necessary installation niche requirements for proper built-in integration. The specifications outlined ensure product compatibility, adequate ventilation, and safe installation conditions.

For detailed information on the technical specifications of the individual products, please refer to their respective dedicated spec sheets, available for download below.

DOWNLOAD PDF

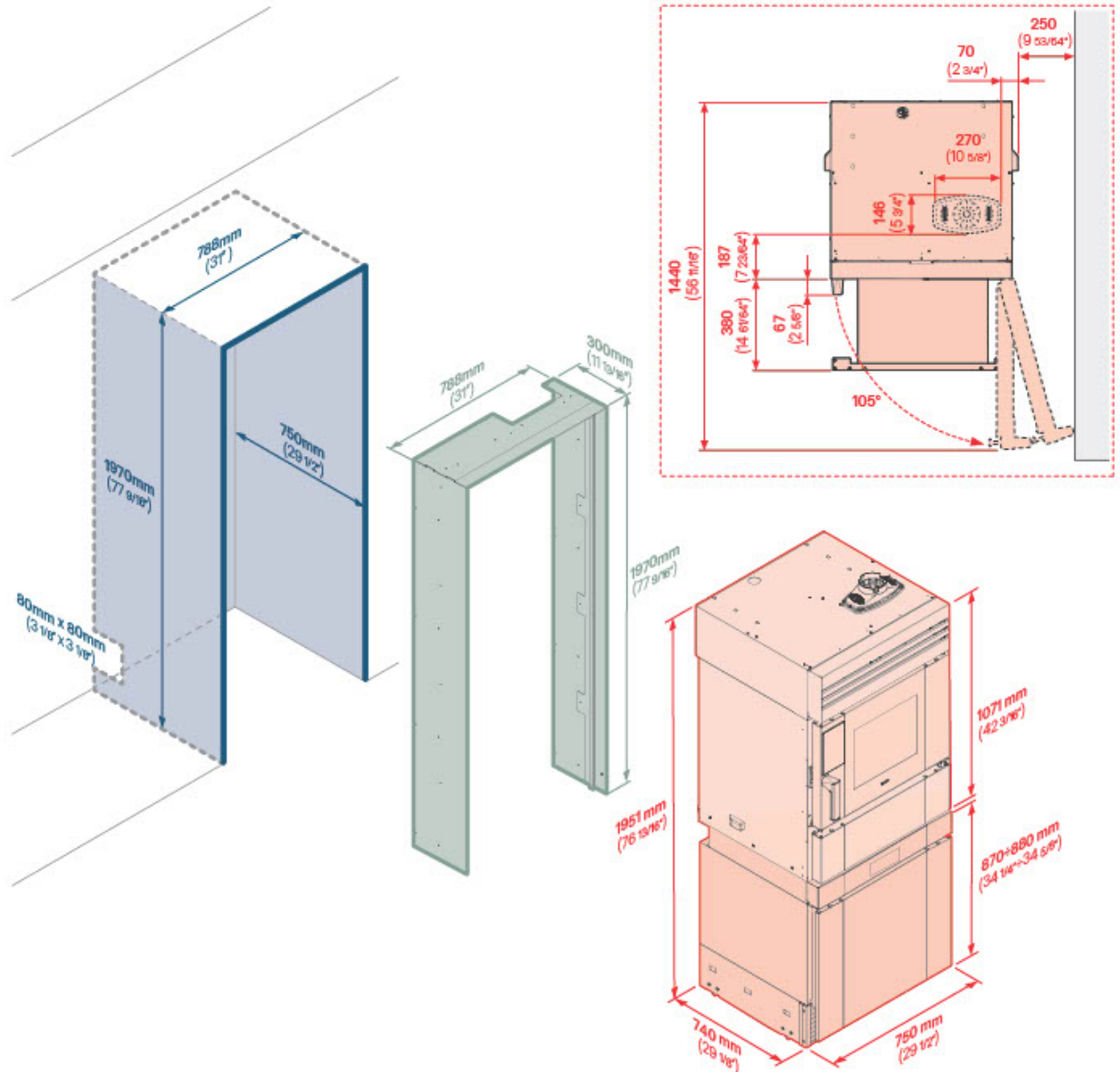
 Technical spec sheet XEVH-0511-EPLM


 Technical spec sheet SBFUC753


 Installation manual


XEVH-0511-EPLM + SBFUC753

DIMENSIONS



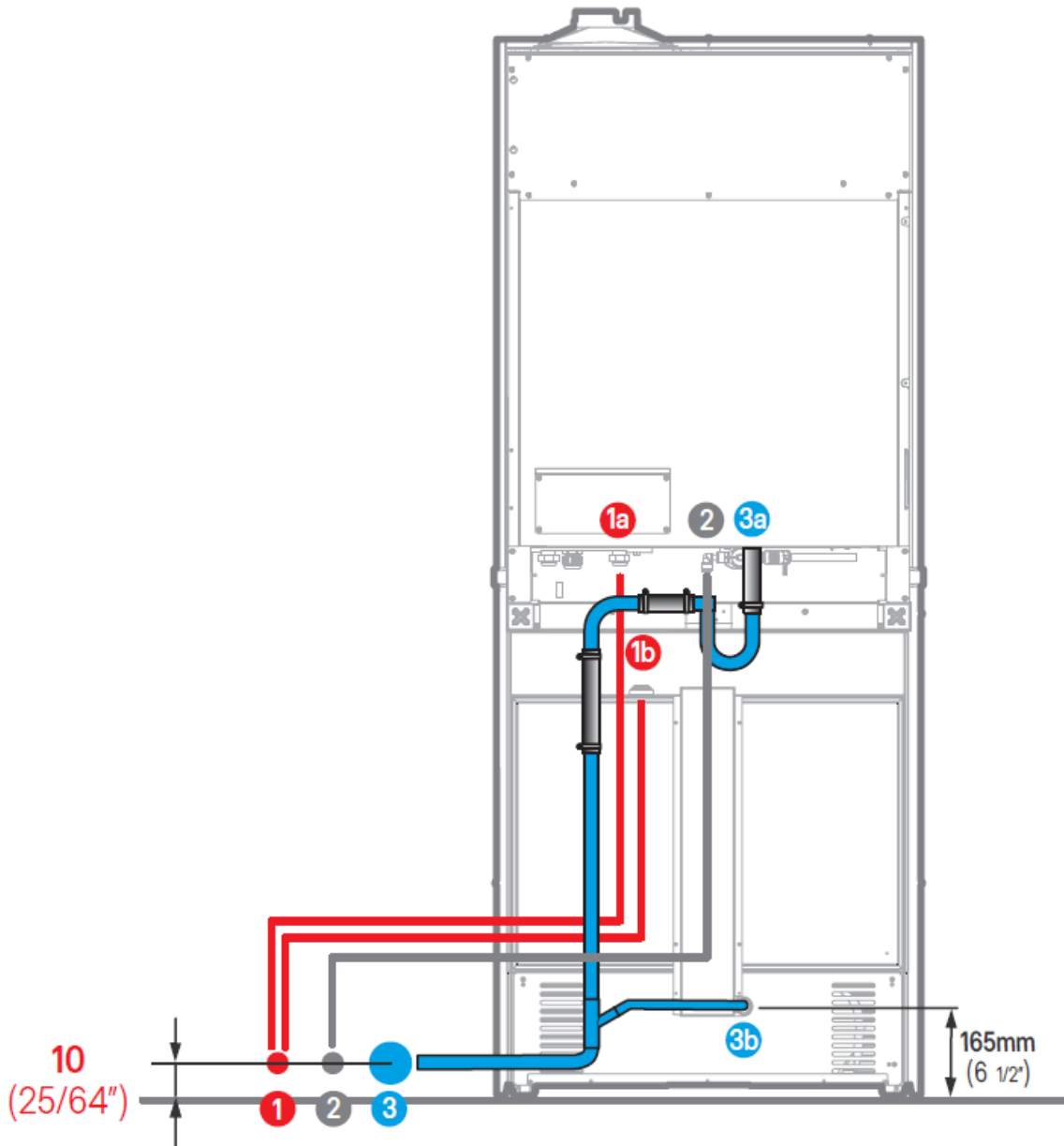
	Recess	Frame	Column
Width	788 mm	788 mm	750 mm
Depth	750 mm	300 mm	740 mm
Height	1970 mm	1970 mm	1951 mm

Notes

To fully open the door (105°), necessary to insert/extract the trays, leave a space of 250 mm (9" 53/64 inch) starting from the side of the oven.

XEVH-0511-EPLM + SBFUC753

ELECTRICAL AND WATER CONNECTIONS



Connection positions

- 1 Electrical outlet
- 2 40mm liquids drain pipe
- 3 3/4 tap for column water supply

Notes

It is essential to create an 80 × 80 mm opening on the left and/or right side panel of the recess, as this allows the water inlet and outlet pipes of the multifunction appliance to pass through.